

CS380

(Code: G553)

For Machine Code:G056/G058/G073/G074/G091 INSTALLATION GUIDE

⚠ Caution

- Before installing options, the machine should be turned off and unplugged for at least thirty minutes. Components inside the machine become very hot, and can cause a burn injury if touched.
- When lifting the machine, use the grips on both sides. The machine could break or cause an injury if dropped.
- It is dangerous to handle the plug with wet hands. Doing this may result in receiving an electric shock.
- Before moving the machine, unplug the power cord from the outlet. If the cord is unplugged abruptly, it could become damaged. Damaged plugs or cords can cause an electrical or fire hazard.

⚠ Important

- If you attach the Mailbox and the Paper Feed Unit, the Paper Feed Unit must be attached prior to attaching the Mailbox.
- The Mailbox and the 1-bin Shift Sort Tray cannot be attached to the printer at the same time.
- Check the printer nameplate to confirm the model code.

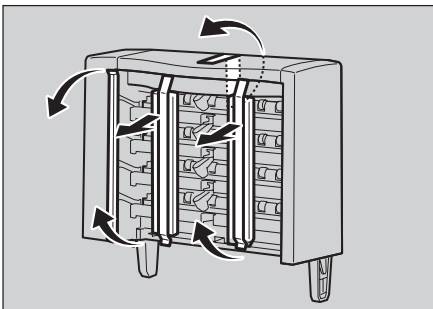
1 Check the contents of the box for the following items:

Description	Qty
Mailbox CS380	1
Output trays (4pcs)	1
Output tray number seal	1
Installation Guide (This sheet)	1

2 Confirm that the followings are true:

- The power switch is turned off.

3 Remove the adhesive tapes and the packing materials.

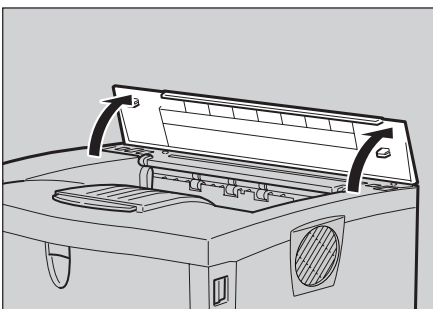


ZCEX451J

4 Remove the upper cover of the printer.

📎 Note

- The upper cover that is removed, is not used when installing the Mailbox.

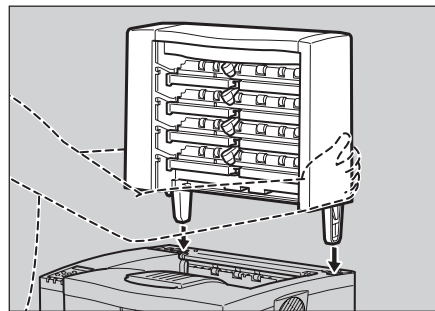


ZGDH170J

5 Holding the Mailbox on both sides, align the catches with the holes on the printer and insert.

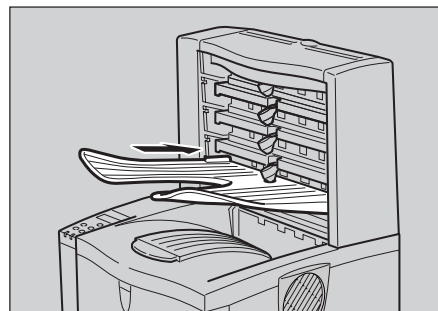
⚠ Caution

- When lifting the Mailbox, hold it on both sides. Holding underneath the Mailbox may cause injury to the hands if caught between the Mailbox and the printer.



ZGDY190J

6 Slide the output tray into the lower side of the Mailbox first.



ZGDY200J

7 Slide the other output trays into the Mailbox.

8 Attach the interface cable to the printer.

9 Plug the printer's power cord back into the wall outlet and turn on the power switch.